

## Proteus Crawler

For pipes from 140mm (even in a relined pipe) up to 600mm, with the optional PCC01 Crawler Cradle it can even be used in pipes up to 1000mm.

### ALL STANDARD FEATURES:

- Continuous monitoring of speed, internal pressure, inclination and temperature
- Dual Axis Inclination Sensor
- Single Auxiliary Light/Backeye Mounting
- Multi-Frequency Sonde 33kHz / 512Hz / 640Hz
- Steerable High Torque
- All-Wheel Drive
- Robust Housing
- 1 bar Pressure Tight
- Quick Change Wheel Lock
- In-Built Lowering Arm
- Heavy Duty Camera Connector
- Protective Front Connector Cap
- Protective Rear Connector Cap
- Lowering Rope
- Tools

- 6x QRWX90SR 90mm Rubber Wheels
- Motorised Elevator - Range 54-205mm
- Articulated 'Knuckle' Connector

- Carbide Wheels
- High Grip Wheels



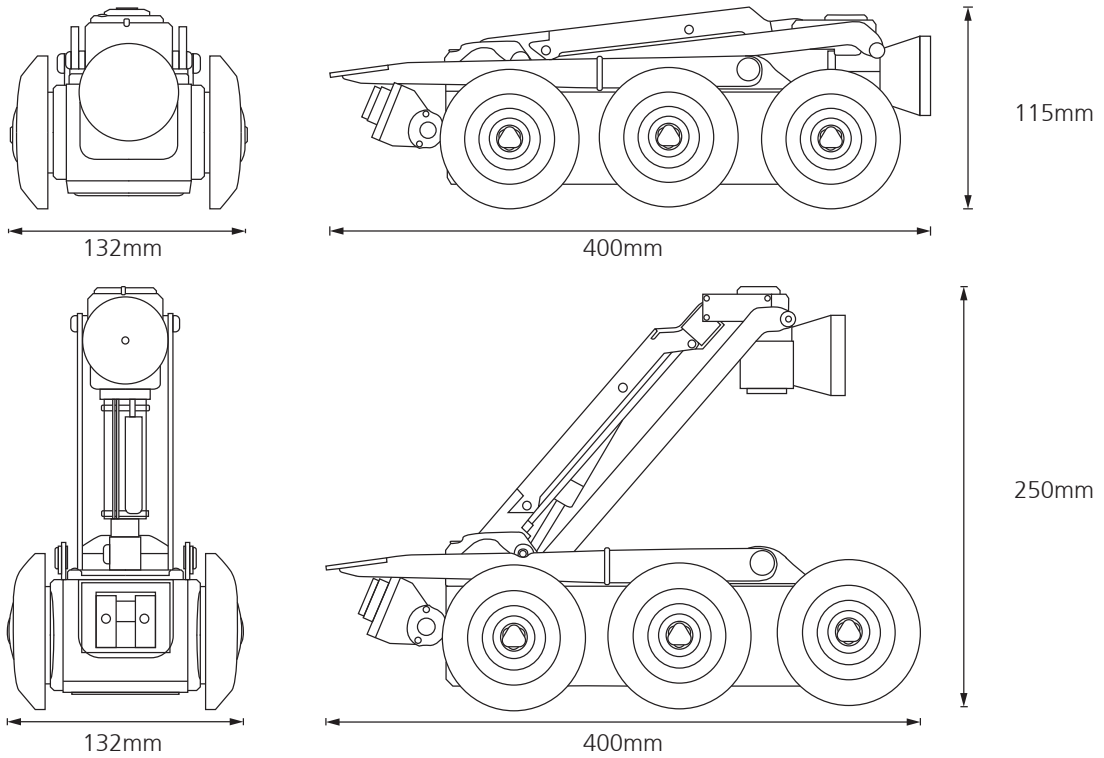
## Compatibility



## Technical Data

Pipe Sizes	from 140mm - 600mm to 1000mm with PCC01 Crawler Cradle
Weight	9.5kg

# Proteus Crawler



Rich black, soft rubber tyres developed to provide improved traction in regular pipes.

Available in 4 sizes and Wide Axle.

112021 © 2022 Minicam



 A Halma company

Minicam Ltd, Unit 33, Ravenscraig Road, Little Hulton, Salford, M38 9PU  
Tel: + 44 (0) 1942 270524 • Email: [info@minicam.co.uk](mailto:info@minicam.co.uk)  
[www.minicamgroup.com](http://www.minicamgroup.com)