

## CCU Tilting Table

Quick and easy to attach, the Tilting Table enables virtually unlimited manoeuvrability of the control unit position, to give the user customisable screen viewing and keyboard positions.

The table can be tilted 35° forwards and 75° backwards, with a full unobstructed 360° horizontal rotation. No tools required, the tilt table is simply attached using the adjustable clamps.

TTC01 is exclusively compatible with Minicam's Proteus and SOLOPro+ Control Units and Coiler/Compatible Coiler frames.



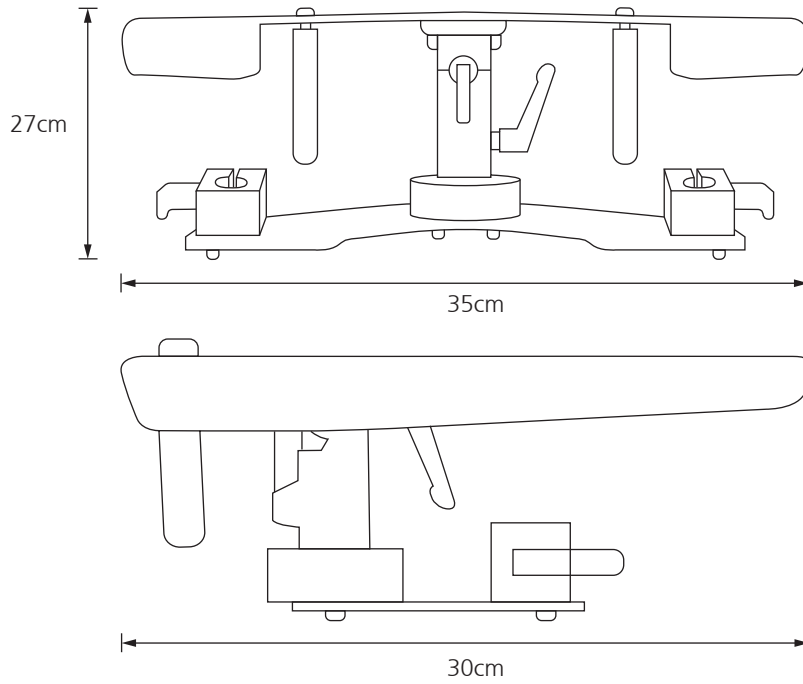
## Compatibility



## Technical Data

Dimensions (L x W x H)	35 x 30 x 27cm
Weight	3kg
Compatibility	Proteus / Proteus Lite / SOLOPro+

# CCU Tilting Table



112021 © 2022 Minicam

